



GAI-TRONICS®
A HUBBELL COMPANY

Pressbar Handset with Hytrel® Cord Replacement Kits

Models 12515-007, 12515-008 & 12515-009

Confidentiality Notice

This manual is provided solely as an operational, installation, and maintenance guide and contains sensitive business and technical information that is confidential and proprietary to GAI-Tronics. GAI-Tronics retains all intellectual property and other rights in or to the information contained herein, and such information may only be used in connection with the operation of your GAI-Tronics product or system. This manual may not be disclosed in any form, in whole or in part, directly or indirectly, to any third party.

General Information

The Model 12515-007 (6-foot), 12515-008 (15-foot), and 12515-009 (25-foot) Pressbar Handset with Hytrel® Cord Replacement Kits are intended to replace the armored cord pressbar handset on the following GAI-Tronics telephones: Models 226-001, 227-001, 276-001 and 277-001.

This kit includes the following components:

Qty	Description
1	Handset with Hytrel® coil cord
1	Spring clip
2	#10-32 × 3/8-inch screws
1	Cable tie

You will need the following tools to install the handset with armored cord:

- Phillips screwdriver
- Flathead screwdriver
- 5/64-inch Allen screwdriver
- Torx Security Screwdriver, T-25 (GTC. No. 233-001)
- Needle-nose pliers

Removing the Existing Handset

1. Remove the front panel screws using the Torx T-25 Screwdriver. Retain the screws.
2. Lift out the panel on Model 22x-001 units. Remove the back box on Model 27x-001 units.
3. Remove the wires from TB1 and transport the panel to a clean work surface. See Figure 1.
4. Disconnect the handset wires: blue (E11), yellow (E12), red (E8), green (E7), white (E10) and black (E9). See Figure 1.
5. Cut the cable tie used to bundle the wires together.
6. Loosen the set screws that secure the armored cord and the armored cord lanyard. Pull the lanyard end from the armored cord block. See Figure 2.
7. Remove the two screws securing the armored cord block. See Figure 2.
8. Pull the handset wires through the block and front panel to completely remove the block and handset from the assembly.
9. Remove the black nylon bushing from double “D” hole.

Installing the New Handset with Hytrel® Cord

10. Secure the handset cradle with the #10-32 × 3/8-inch long screws provided.
11. Thread the handset wires through the front panel double “D” hole. Align the flats of the handset grommet vertically.
12. Secure the handset cord using the spring clip provided. See Figure 3.
13. Plug the spades of the handset into the E-clips on the PCBA as shown in Figure 1.
14. Reconnect TB1 wires as shown in Figure 1.
15. Bundle the wires as before with the cable tie included in this kit.
16. Replace the front panel and secure using the screws retained from step 1.
17. Test the handset to confirm proper installation.

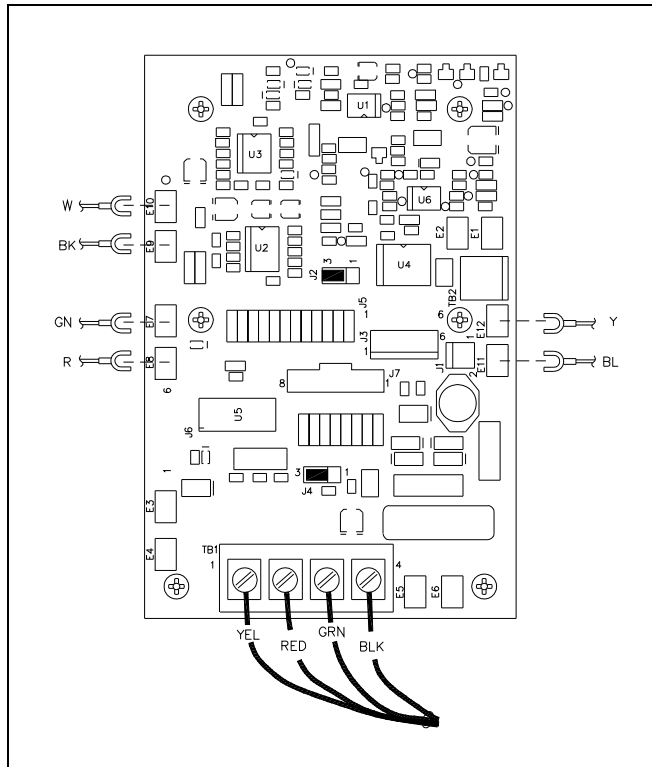


Figure 1.

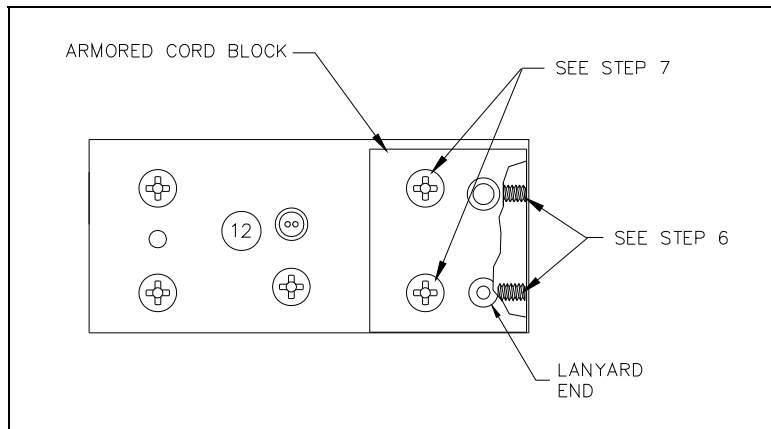


Figure 2.

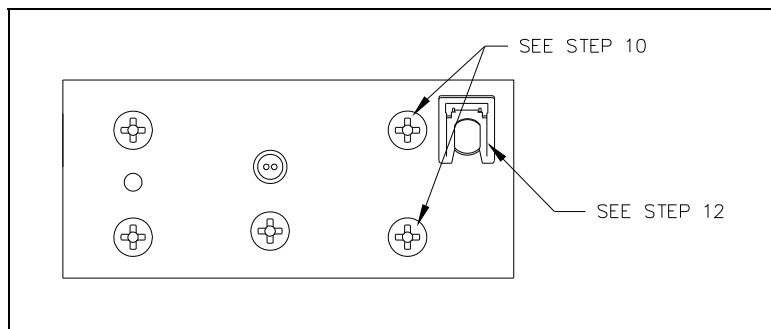


Figure 3.

Warranty

Equipment. GAI-Tronics warrants for a period of one (1) year from the date of shipment, that any GAI-Tronics equipment supplied hereunder shall be free of defects in material and workmanship, shall comply with the then-current product specifications and product literature, and if applicable, shall be fit for the purpose specified in the agreed-upon quotation or proposal document. If (a) Seller's goods prove to be defective in workmanship and/or material under normal and proper usage, or unfit for the purpose specified and agreed upon, and (b) Buyer's claim is made within the warranty period set forth above, Buyer may return such goods to GAI-Tronics' nearest depot repair facility, freight prepaid, at which time they will be repaired or replaced, at Seller's option, without charge to Buyer. Repair or replacement shall be Buyer's sole and exclusive remedy. The warranty period on any repaired or replacement equipment shall be the greater of the ninety (90) day repair warranty or one (1) year from the date the original equipment was shipped. In no event shall GAI-Tronics warranty obligations with respect to equipment exceed 100% of the total cost of the equipment supplied hereunder. Buyer may also be entitled to the manufacturer's warranty on any third-party goods supplied by GAI-Tronics hereunder. The applicability of any such third-party warranty will be determined by GAI-Tronics.

Services. Any services GAI-Tronics provides hereunder, whether directly or through subcontractors, shall be performed in accordance with the standard of care with which such services are normally provided in the industry. If the services fail to meet the applicable industry standard, GAI-Tronics will re-perform such services at no cost to buyer to correct said deficiency to Company's satisfaction provided any and all issues are identified prior to the demobilization of the Contractor's personnel from the work site. Re-performance of services shall be Buyer's sole and exclusive remedy, and in no event shall GAI-Tronics warranty obligations with respect to services exceed 100% of the total cost of the services provided hereunder.

Warranty Periods. Every claim by Buyer alleging a defect in the goods and/or services provided hereunder shall be deemed waived unless such claim is made in writing within the applicable warranty periods as set forth above. Provided, however, that if the defect complained of is latent and not discoverable within the above warranty periods, every claim arising on account of such latent defect shall be deemed waived unless it is made in writing within a reasonable time after such latent defect is or should have been discovered by Buyer.

Limitations / Exclusions. The warranties herein shall not apply to, and GAI-Tronics shall not be responsible for, any damage to the goods or failure of the services supplied hereunder, to the extent caused by Buyer's neglect, failure to follow operational and maintenance procedures provided with the equipment, or the use of technicians not specifically authorized by GAI-Tronics to maintain or service the equipment. **THE WARRANTIES AND REMEDIES CONTAINED HEREIN ARE IN LIEU OF AND EXCLUDE ALL OTHER WARRANTIES AND REMEDIES, WHETHER EXPRESS OR IMPLIED BY OPERATION OF LAW OR OTHERWISE, INCLUDING ANY WARRANTIES OF MERCHANTABILITY OR FITNESS FOR A PARTICULAR PURPOSE.**

Return Policy

If the equipment requires service, contact your Regional Service Center for a return authorization number (RA#). Equipment should be shipped prepaid to GAI-Tronics with a return authorization number and a purchase order number. If the equipment is under warranty, repairs or a replacement will be made in accordance with the warranty policy set forth above. Please include a written explanation of all defects to assist our technicians in their troubleshooting efforts.

Call 800-492-1212 (inside the USA) or 610-777-1374 (outside the USA) for help identifying the Regional Service Center closest to you.